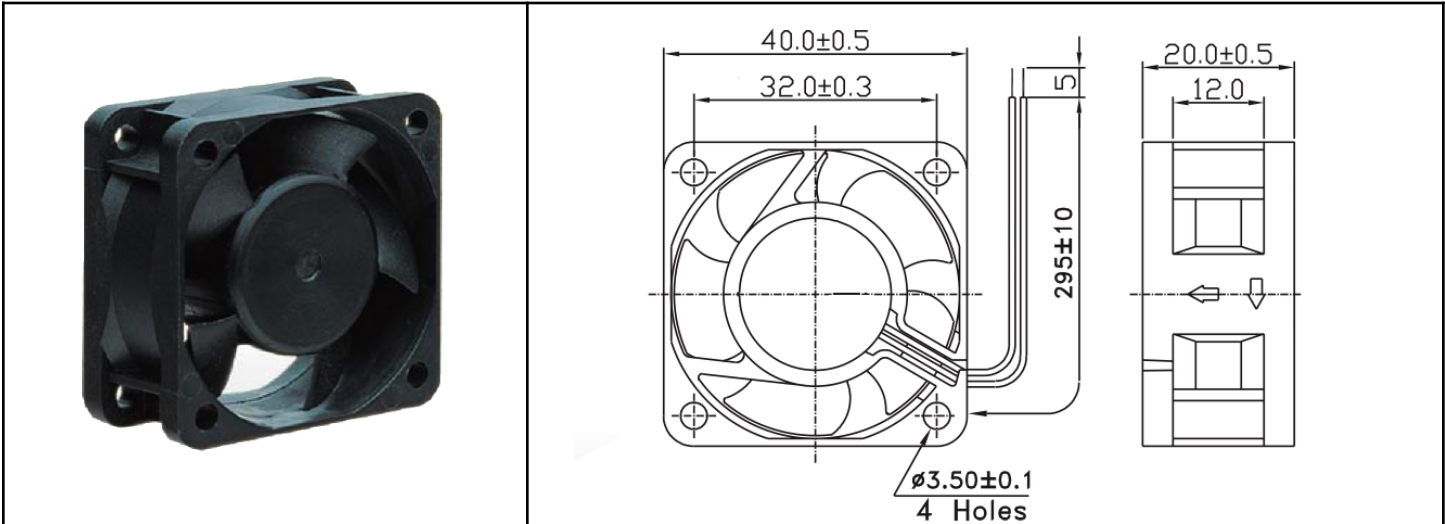


# OD4020 Series



DC Fan - 12, 24V  
40x20mm (1.58"x 0.79")



Frame & Impeller	PBT, UL94V-O plastic	<b>Available Options:</b> Sleeve Bearing Ball Bearing Tachometer Alarm 5V  <u>Life Expectancy (L10)</u> 50,000+ hrs  <u>Operating Temperature</u> -10 ~ 70C	
Connection	2x Lead wires 26AWG		
Motor	Brushless DC, auto restart, impedance and polarity protected		
Bearing System	Sealed Sleeve		
Insulation Resistance	10M ohm between leadwire and frame (500VDC)		
Dielectric Strength	1 second at 500 VAC, max leakage - 500 MicroAmp		
Storage Temperature	-30C ~ +90C		

Part Number	OD4020-12HSS	OD4020-24HSS
Nominal Voltage	12 VDC	24 VDC
Nominal Current	0.11A	0.09A
Rated Power	1.2W	1.7W
Rated Speed (RPM)	7800	7800
Airflow (CFM)	9	9
Noise Level (dB)	32	32
Max. Static Pressure	0.30" H2O	0.30" H2O

To indicate sleeve bearing replace "SS" suffix with "S" in part number (25,000 hrs life expectancy)  
 To indicate ball bearing replace "SS" with "B" in part number (60,000 hrs life expectancy)

